



EVOTECH®
P E R F O R M A N C E

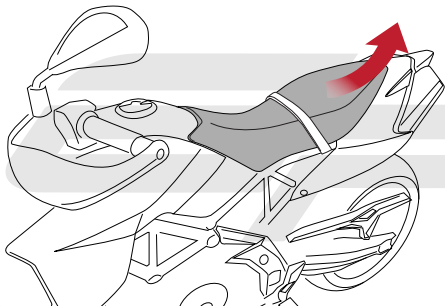
Installation Instructions

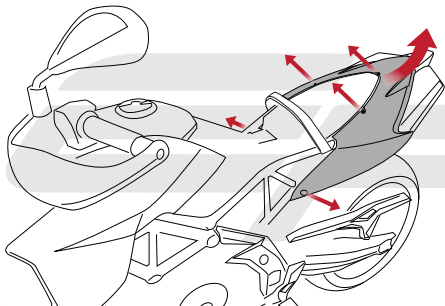
APRILIA DORSODURO 750 TAIL TIDY 2008 ONWARDS

Product Reference - 6668

Kit Contents

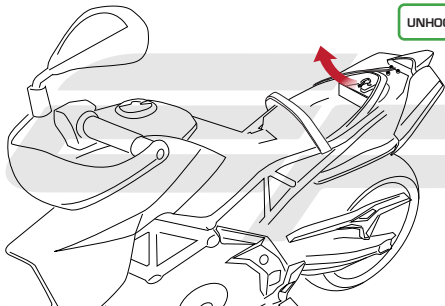
- | | |
|---|--------------------------------------|
| A 1 x Main Tail Tidy | J 2 x M4 x 12 Black Screws |
| B 1 x Indicator Bracket | K 2 x M6 - 45 Black Screws |
| C 1 x Seat Lock Bracket (2008-20012) | L 3 x Top Hat Washers |
| D 1 x Seat Lock Bracket (2013 Onwards) | M 3 x M6 - 60 Cap Head Screws |
| E 1 x Seat Lock Plate | N 4 x M6 - 16 Black Screws |
| F 1 x Reflector Bracket | O 4 x M6 Nyloc Nuts |
| G 1 x Reflector | P 4 x Seat Lock Spacers |
| H 1 x M5 - 12 Cap Head Screw | Q 5 x M6 Washers |
| I 2 x Plastic Screws and Nuts | R 6 x Cable Ties |

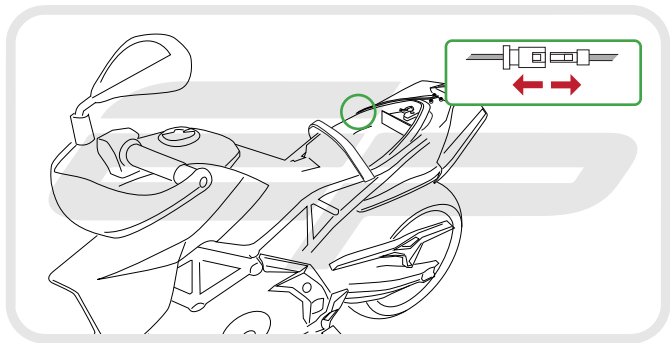


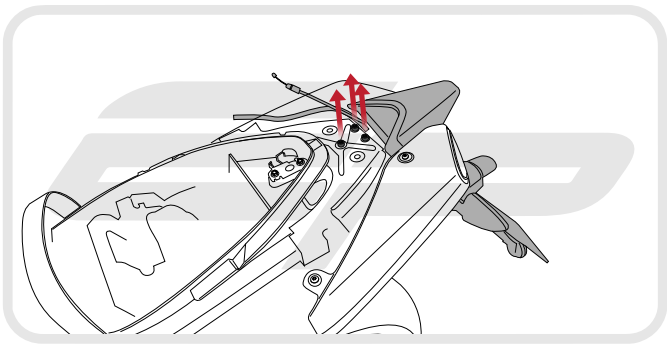


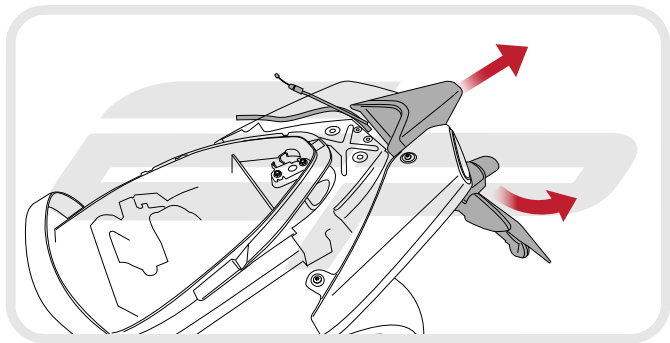


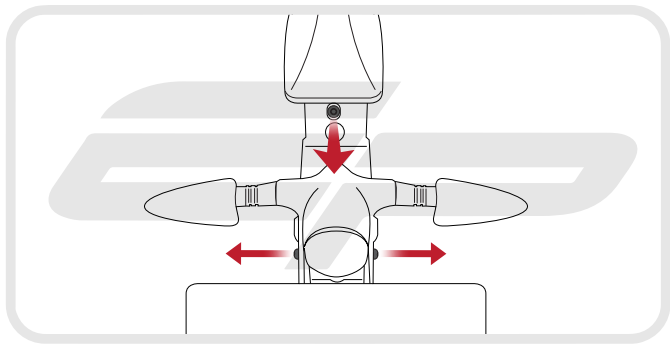
UNHOOK SEAT RELEASE CABLE

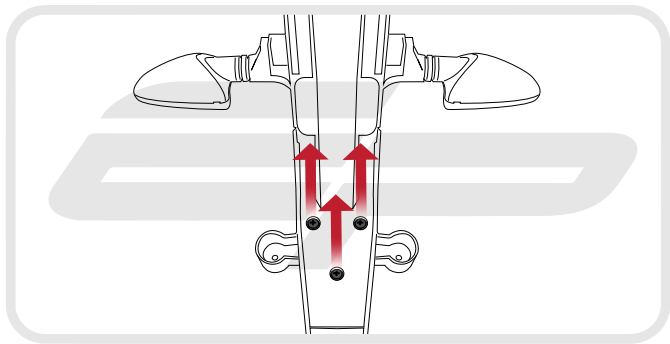




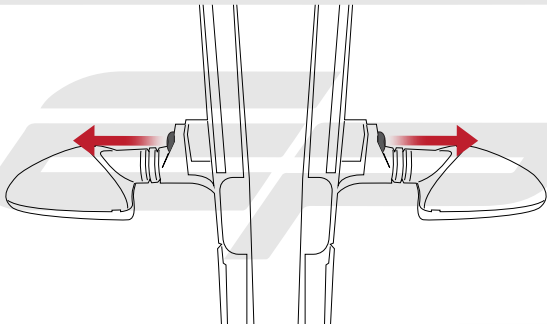


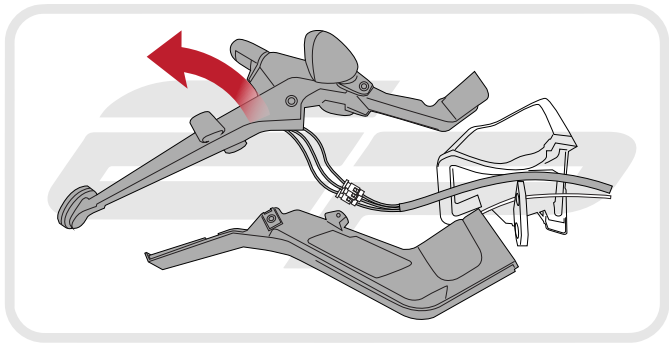


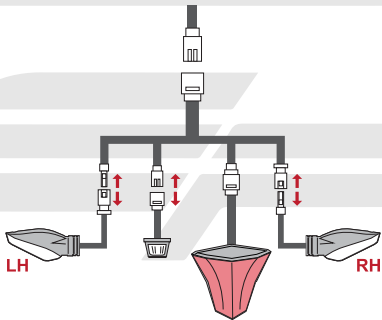


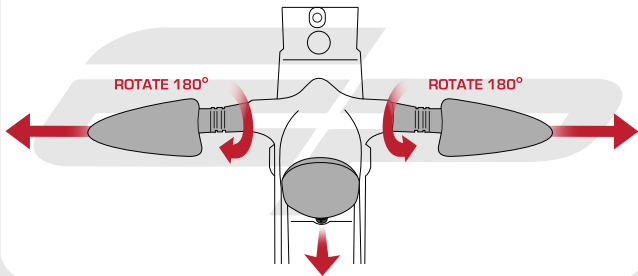


EVOTECH[®]
P E R F O R M A N C E



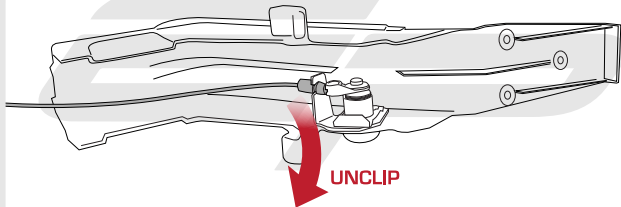


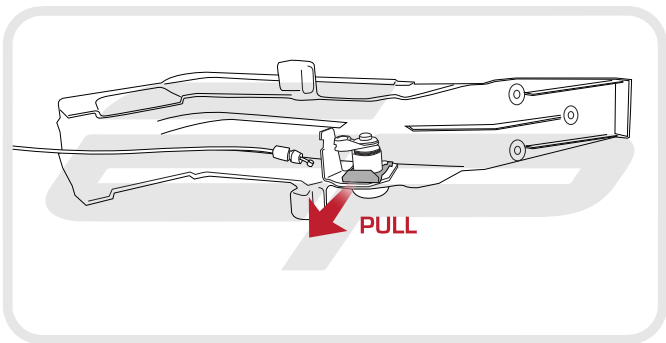


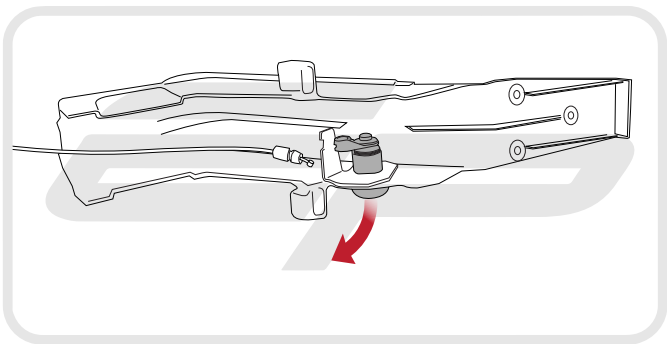


EVOTECH[®]
P E R F O R M A N C E

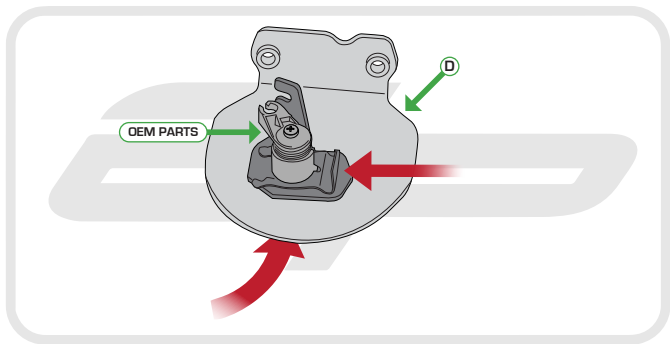
Stage 13 - 16 for 2013 Models Onwards
2008 - 2012 Models skip to stage17





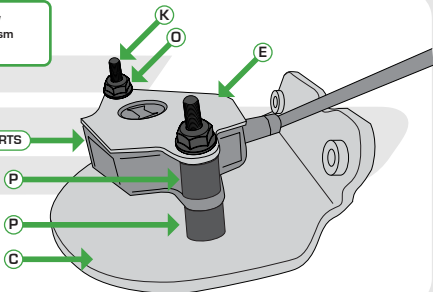


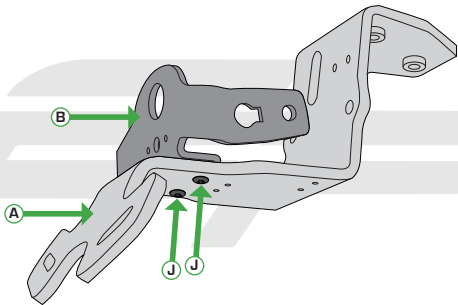
EVOTECH[®]
P E R F O R M A N C E



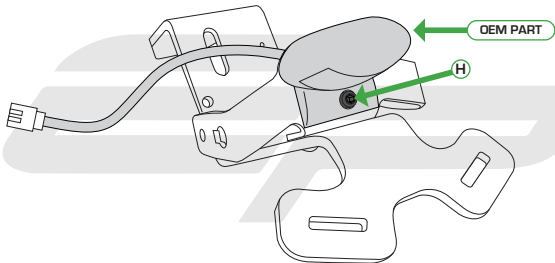
2008 - 2012 Models Only
Transfer Seat Lock Mechanism
from old fender

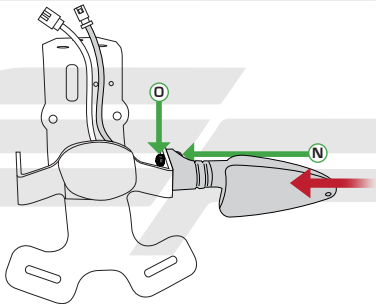
OEM PARTS





EVOTECH[®]
P E R F O R M A N C E

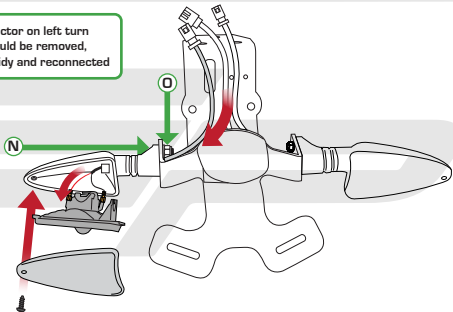


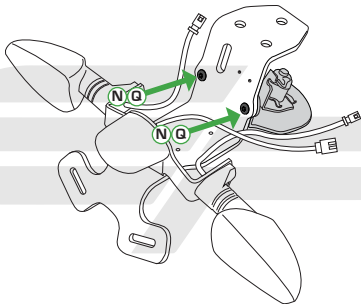


EVOTECH[®]
P E R F O R M A N C E

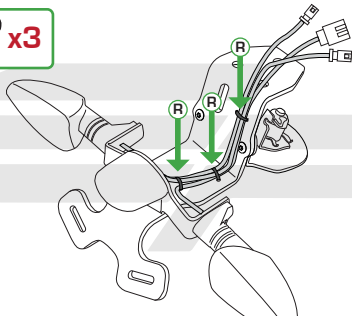


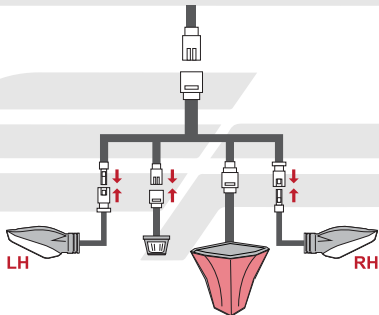
Due to size of connector on left turn signal, the lens should be removed, wires fed through tail tidy and reconnected

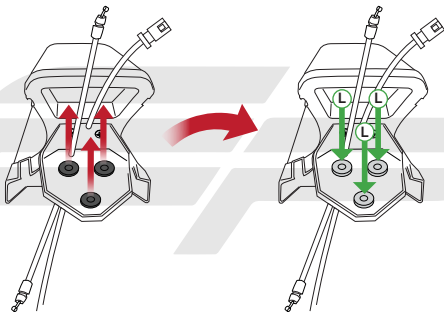




EVOTECH[®]
P E R F O R M A N C E



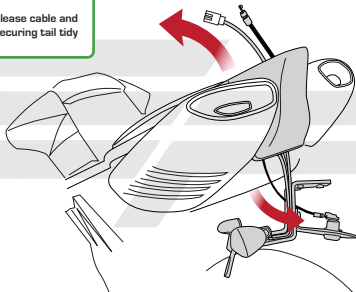


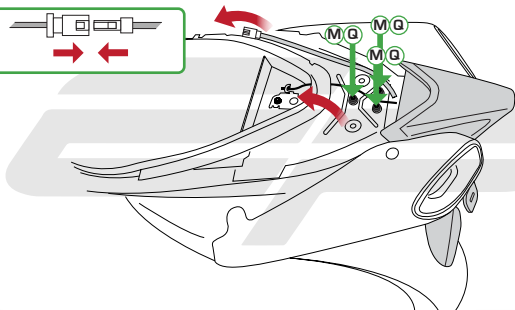
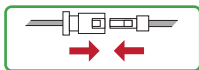




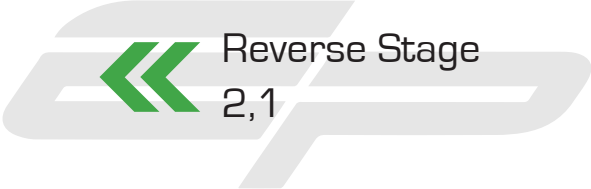
Caution

Re-fit seat release cable and test before securing tail tidy





EVOTECH[®]
P E R F O R M A N C E



Reverse Stage
2,1

The section header is centered within a large, light gray rounded rectangular frame. It features a large, stylized 'EP' logo in the background. The 'E' is light gray, and the 'P' is also light gray but with a white diagonal slash. Overlaid on the left side of the 'E' are two green chevrons pointing to the left. To the right of the chevrons, the text 'Reverse Stage' is written in a dark gray sans-serif font, with '2,1' below it in the same font.



EVOTECH®
P E R F O R M A N C E

www.evotech-performance.com